

KINGSTON

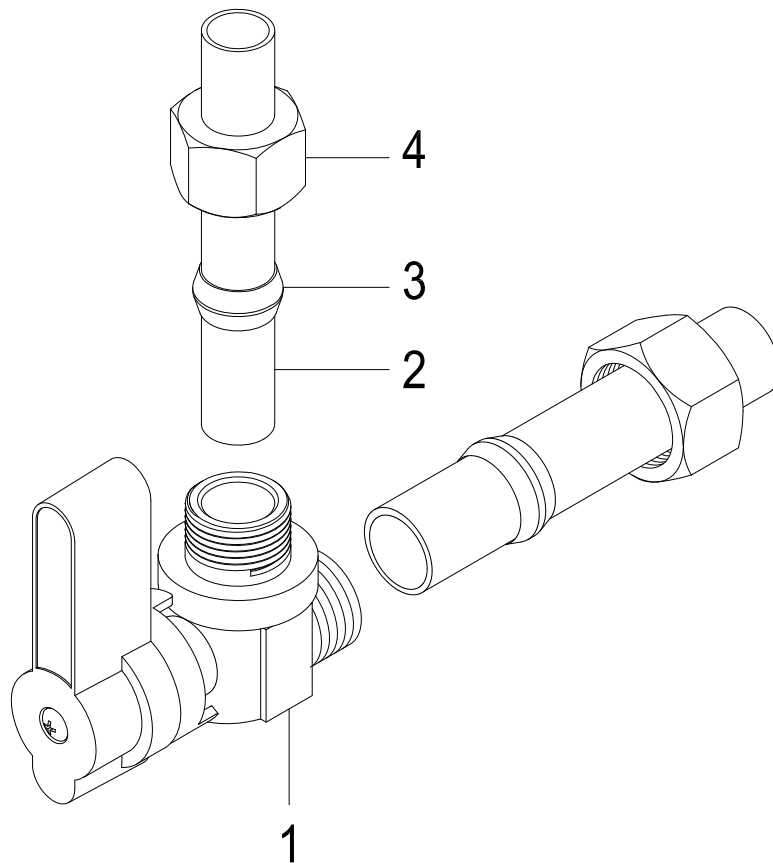
KITCHEN & BATH

INSTALLATION INSTRUCTIONS

Angle Stop

Instructions:

1. Place nut (4) and ring (3) on tube (2).
2. Insert tube (2) into valve.
3. Wrench tighten nut (4) onto valve.
4. Repeat steps 1 through 3 with the other side.
5. Stop any leaks by tightening nuts slightly.



www.kingstonbrass.com

TOLL-FREE CUSTOMER SERVICE: 1-877-2-KBRASS

TECHNICAL SUPPORT E-mail: service@kingstonbrass.com

12775 Reservoir Street, Chino, CA 91710

KINGSTON

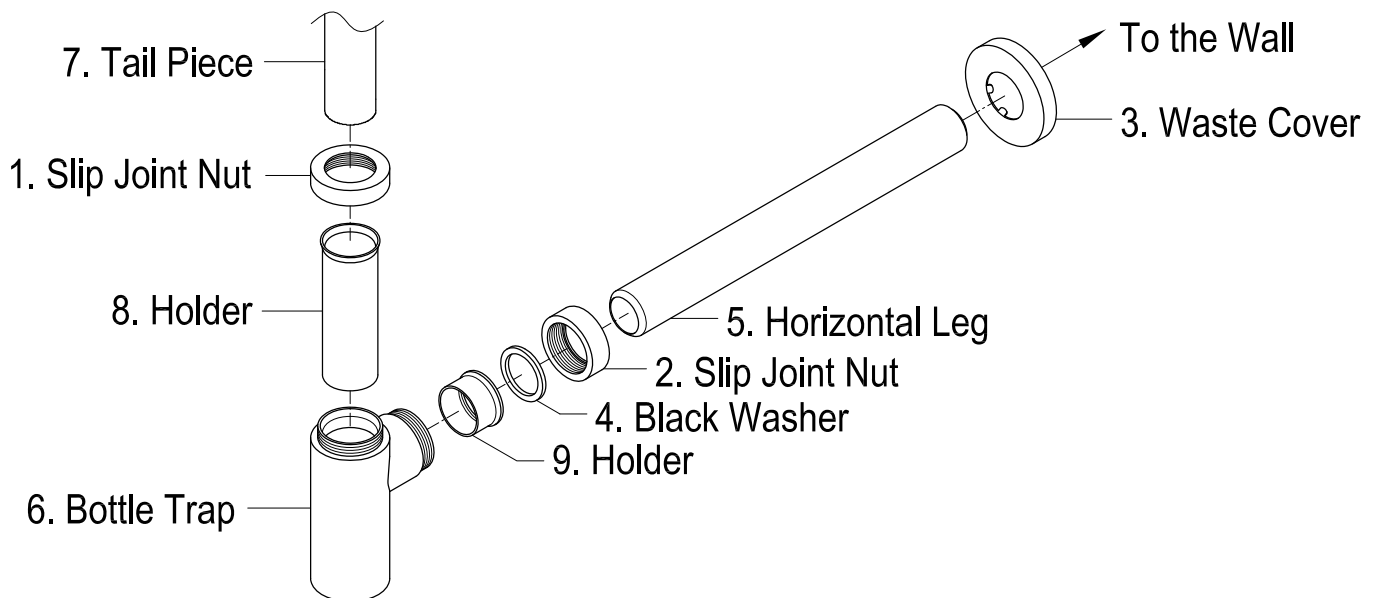
KITCHEN & BATH

INSTALLATION INSTRUCTIONS

Bottle-Trap

Instructions:

1. Remove horizontal leg and slip joint nut from bottle trap.
2. Apply Teflon to all exposed threads.
3. Insert slip joint nut (2) and waste cover (3) onto horizontal leg (5).
4. Insert horizontal leg into wall waste opening, do not tighten.
5. Insert slip joint nut (1) and Holder (8) onto tail piece (7).
6. Attach bottle trap (6) to tail piece and hand tighten slip joint nut (1).
7. Align bottle trap with horizontal leg and tail piece, at this point it may be necessary to cut part of tail piece or part of horizontal leg to obtain proper alignment.
8. After all components have been properly aligned, insert horizontal leg making sure to insert black washer (4) before tightening slip joint nut (2).
9. Thread both slip joint nuts onto bottle trap and tighten along with slip joint securing horizontal leg to wall waste opening.
10. Check for leakage by opening faucet and letting water run for at least 45 seconds.



www.kingstonbrass.com

TOLL-FREE CUSTOMER SERVICE: 1-877-2-KBRASS

TECHNICAL SUPPORT E-mail: service@kingstonbrass.com

12775 Reservoir Street, Chino, CA 91710